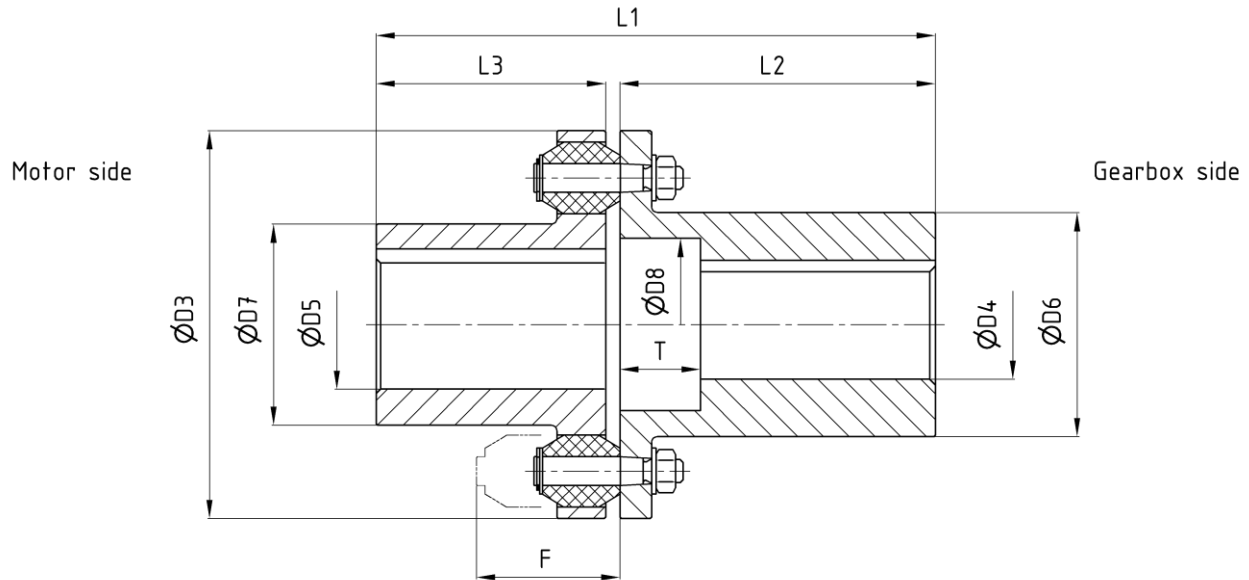


Type B:
 for horizontal or
 vertical assembly

Flexible pin coupling

edition 06/2022 | EN
 page 1 / 1



Order example: EBK B NG - D4H7P1 - D5H7P1 - D8 x T - dy

dimensions in [mm]

Technical data

Nominal size NG	M_B ¹⁾ [Nm]		n_{max} ²⁾ [1/min]	$D5$ ³⁾		$D4$ ³⁾ max	$D3$	$D6$	$D7$	$D8$ max	T	F	L1	L2	L3	J_{rot} [kgm ²]	m [kg]	M_A [Nm]
	T_{kN}	T_{kmax}		min	max													
4	40	60	5000	18	32	18	82	45	42	35	14	41	93	50	40	0,0009	1,2	3
6,3	63	95	4600	18	38	22	90	52	50	43	18	41	113	60	50	0,0012	1,7	3
10	100	150	4300	18	42	32	98	58	56	50	22	41	133	80	50	0,0019	2,2	3
16	160	240	4050	18	45	32	112	62	60	50	22	57	143	80	60	0,0033	3,2	5,1
25	250	375	3850	20	48	38	118	70	65	64	28	59	175	110	60	0,0036	4,1	5,1
40	400	600	3650	22	55	38	135	78	70	64	28	72	195	110	80	0,0078	5,8	16
63	630	950	3500	22	65	48	150	92	85	78	28	72	195	110	80	0,0133	7,6	16
100	1000	1500	3350	28	75	60	182	95	95	92	35	92	235	140	90	0,038	13,8	43
160	1600	2400	3200	32	85	70	205	120	115	105	35	92	255	140	110	0,067	19	43
250	2500	3750	3100	42	95	80	230	135	130	119	40	107	285	170	110	0,117	27,3	43
400	4000	6000	3000	45	110	80	275	145	145	119	40	127	285	170	110	0,221	40,9	106
630	6300	9500	2700	90	120	90	320	165	165	146	45	130	388	210	170	0,492	64	106
1000	10000	15000	2300	90	130	100	380	175	175	159	45	150	388	210	170	0,78	85	370
1600	16000	24000	2000	90	160	110	440	210	210	178	45	165	430	210	210	1,78	128	370

1) torsion angle at T_{kN} $\varphi = 3^\circ \pm 1^\circ$

2) Use at higher speeds on request

3) Finish boring according to DIN EN ISO 286-1 H7, keyway according to DIN 6885-1 J59, balancing quality G 6,3 according to DIN ISO 1940-1
 Other diameters and fits on request

4) Standard: Buffer made from PUR 85 Shore A, nature, operating temperatur from -40°C up to $+80^\circ\text{C}$ / other materials on request