

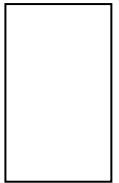
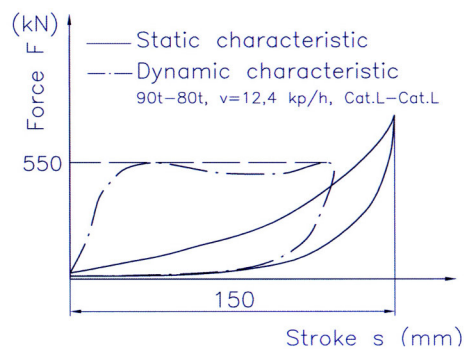
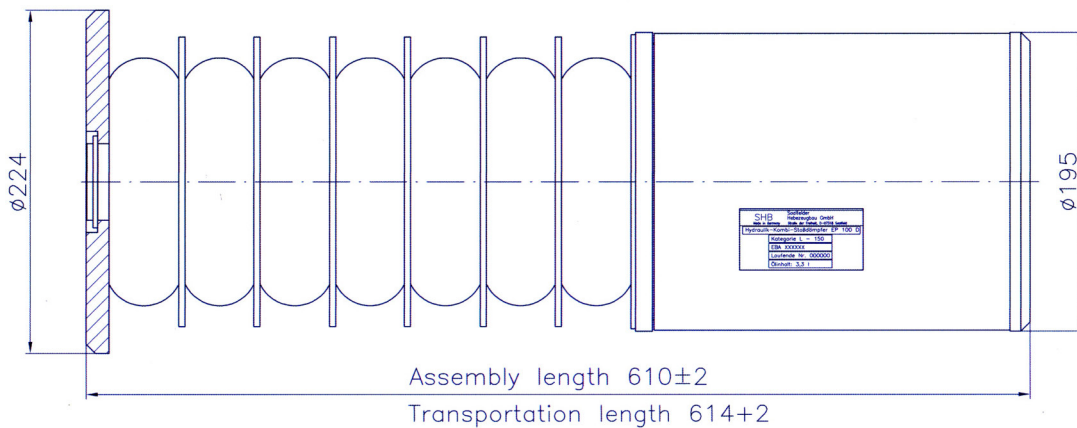
Hydraulic - Combination - Shock - Absorber EP100D

Usual for: Side Buffers Cat. L, Diagonal Buffers Cat. L, Special Buffers



Technical description:

- Fulfills UIC 526-3 and EN 15551
- Drawing-no.: 3.06.0020.000
- EBA approved: EBA 05E15A
- Static - soft characteristic
- Dynamic capacity $We_{dyn.} > 100$ kJ with low final forces
- Excellent load protection by low acceleration values



Augustinern 86
D-06484 Quedlinburg
Tel.: +49 (0) 3946 810 550
Fax: +49 (0) 3946 810 551

ETQ Eisenbahntechnische
Anwendungen GmbH

Straße der Freiheit 1
D-07318 Saalfeld / Saale
Tel.: +49 (0) 3671 441-0
Fax: +49 (0) 3671 441-343

SHB[®]
HEBEZEUGBAU



Version: 05.2018