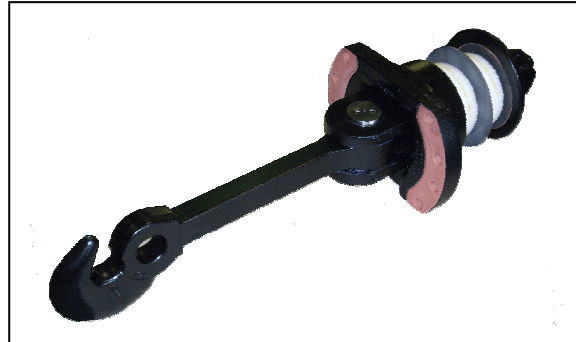


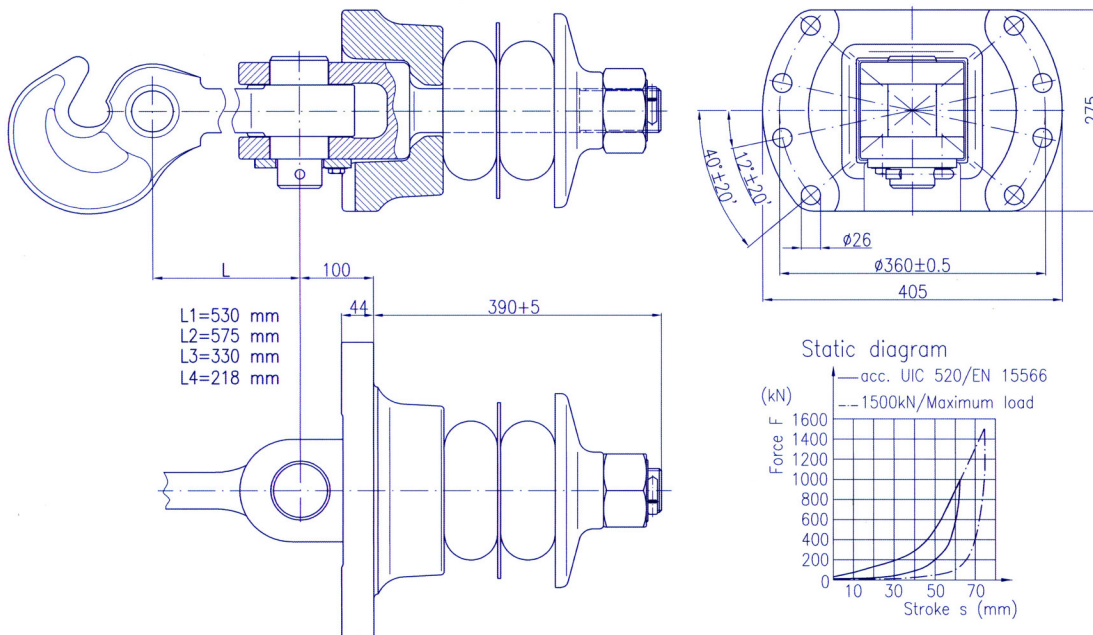
Draw gear DZ20L – 1,5 MN

Usual for: Locomotives all types



Technical description:

- Fulfills TSI, EN 15566 and UIC 520 requirements
- EC declaration of conformity, TSI certificates
- Proof on 30 years life cycle
- Drawing - no.: 2.05.0300.145 / 2Fle000.0.05.017.013
- Weight without draw hook: 88 kg
- Breaking load of draw gear: > 1500 kN (1,5 MN)
- Maximum capacity $W_{e_{stat}}$: 40 kJ
- Proof of the temperature stability to -40°C
- Available alternatively with draw hooks in the breaking loads of ≥ 1000 kN (1,0 MN), ≥ 1500 kN (1,5 MN) and different lengths



Strabe der Freiheit 1
D-07318 Saalfeld / Saale
Tel.: +49 (0) 3671 441-0
Fax: +49 (0) 3671 441-343

SHB
HEBEZEUGBAU



Augustinern 86
D-06484 Quedlinburg
Tel.: +49 (0) 3946 810 550
Fax: +49 (0) 3946 810 551

ETQ Eisenbahntechnische
Anwendungen GmbH

Version: 05.2018