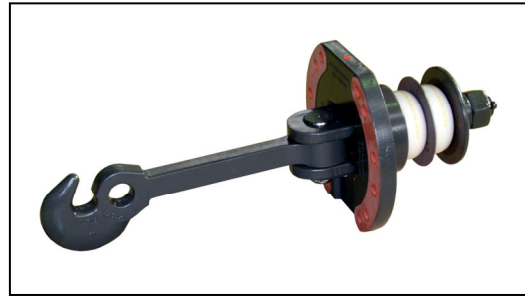


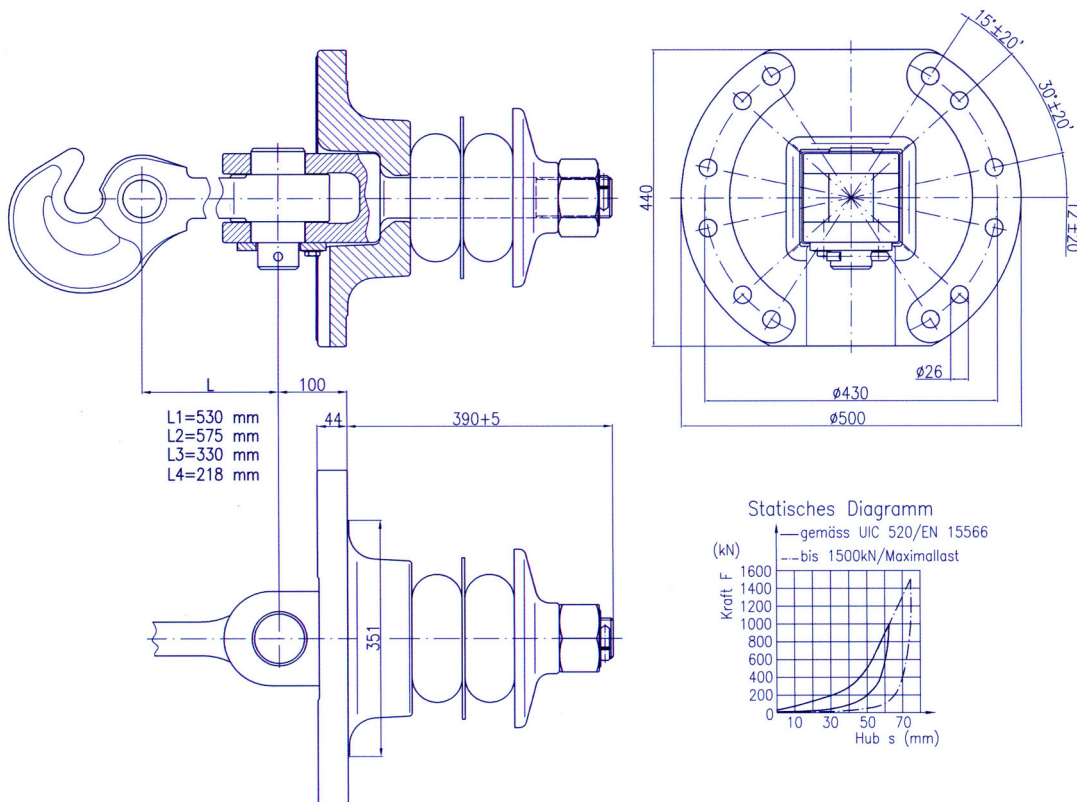
Draw gear DZ20LS – 1,5 MN

Usual for: Locomotives



Technical description:

- Fulfills TSI, EN 15566 and UIC 520 requirements
- EC declaration of conformity, TSI certificates
- Proof on 30 years life cycle
- Drawing – no.: 2.05.1100.145-Z
- Weight without draw hook: 115 kg
- Breaking load of draw gear > 1500 kN (1,5 MN)
- Maximum capacity $W_{e\text{stat.}}$: 40 kJ
- Proof of the temperature stability to -40°C
- Available alternatively with draw hooks in the breaking loads of ≥ 1000 kN (1,0 MN), ≥ 1500 kN (1,5 MN) and different lengths



Straße der Freiheit 1
D-07318 Saalfeld / Saale
Tel.: +49 (0) 3671 441-0
Fax: +49 (0) 3671 441-343

SHB
HEBEZEUGBAU



Augustinern 86
D-06484 Quedlinburg
Tel.: +49 (0) 3946 810 550
Fax: +49 (0) 3946 810 551

ETQ Eisenbahntechnische
Anwendungen GmbH

Version: 5.2018