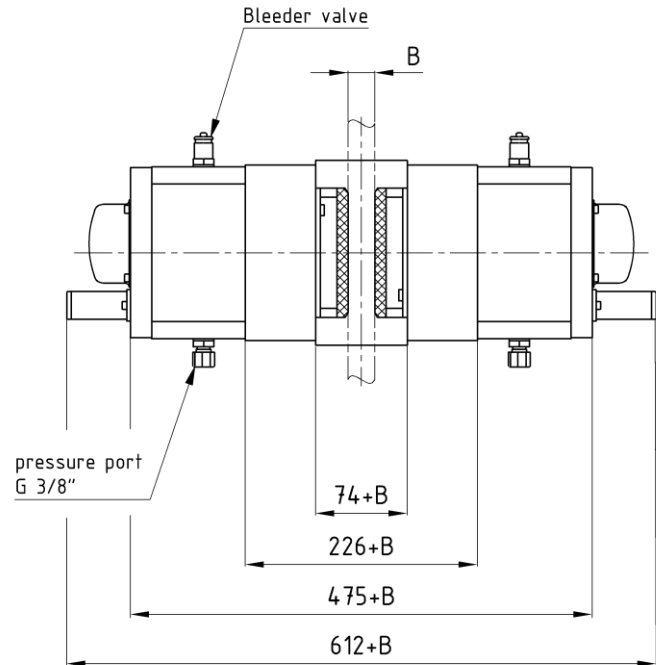
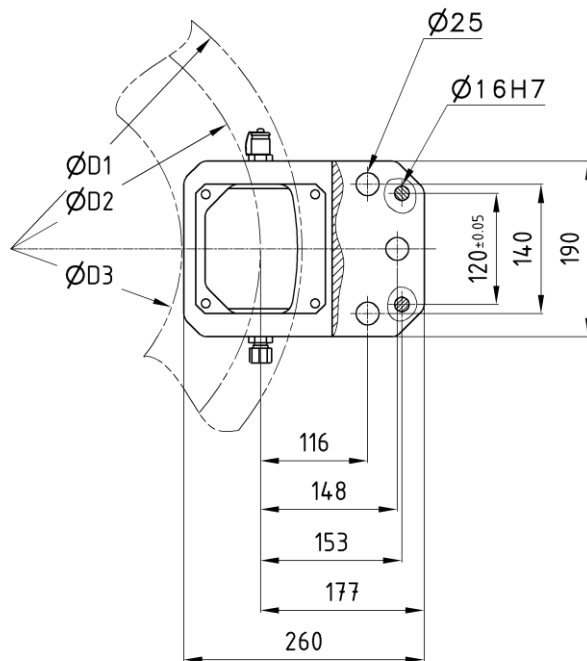


# Disc brake DBF 60

## dimensions and technical data

edition 06/2022 | EN  
page 1 / 1



Order example: DBF 60.X - D1 x B

dimensions in [mm]

### Technical data

Braking torque [kNm]					
$M_{Br} = F_A \cdot (D2 / 1000) \cdot \mu$					
Friction coefficient $\mu = 0,4$					
Clamp force $F_A$ [kN] <sup>1)</sup>					
Air gap	1 mm	2 mm	3 mm	Pressure [bar]	$M_A$ <sup>2)</sup> [Nm]
DBF 60.1	11	10	9	30	8.8 - 500
DBF 60.2	21	20	19	40	8.8 - 600
DBF 60.3	31	30	29	60	8.8 - 700
DBF 60.4	42	40	38	70	8.8 - 800
DBF 60.5	52	50	48	90	10.9 - 900
DBF 60.6	62	60	58	100	10.9 - 1000
Brake disc					
Brake disc diameter D1			min. 630 mm		
Friction diameter D2			D1 - 90 mm		
Hub diameter D3			D1 - 260 mm		
Brake disc thickness B			min. 25 mm		

Operational data	
Release time <sup>3)</sup>	1 - 2,5 s
Theoretical close time <sup>4)</sup>	ca. 0,2 s
Pad surface	126 cm <sup>2</sup>
Maximum pressure	120 bar
Oil volume	0,24 l
Oil volume at working stroke	0,04 l
Hydraulic connection	G 3/8" / pipe Ø12 x 1,5
Operating temperature	-20°C bis +60°C
Screw size / strength	M24 - 8.8 / 10.9
Weight without mounting bracket	115 kg

- Available with mounting bracket and assembled hydraulic power unit, filled and bled as „plug and play“- version.
- Inductive proximity switch for monitoring brake open position as standard.
- optional: Inductive proximity switch for monitoring Air gap and / or brake closed position.

1) The clamp force can vary between 5%.  
 2) Screw thightening torque is specified for ungreased thread. The usage of screws and nuts without surface treatment is recommended.  
 3) The brake release time depends strongly on the used hydraulic power unit.  
 4) The theoretical close time can only be achieved with the correct size of the hydraulic pipe.