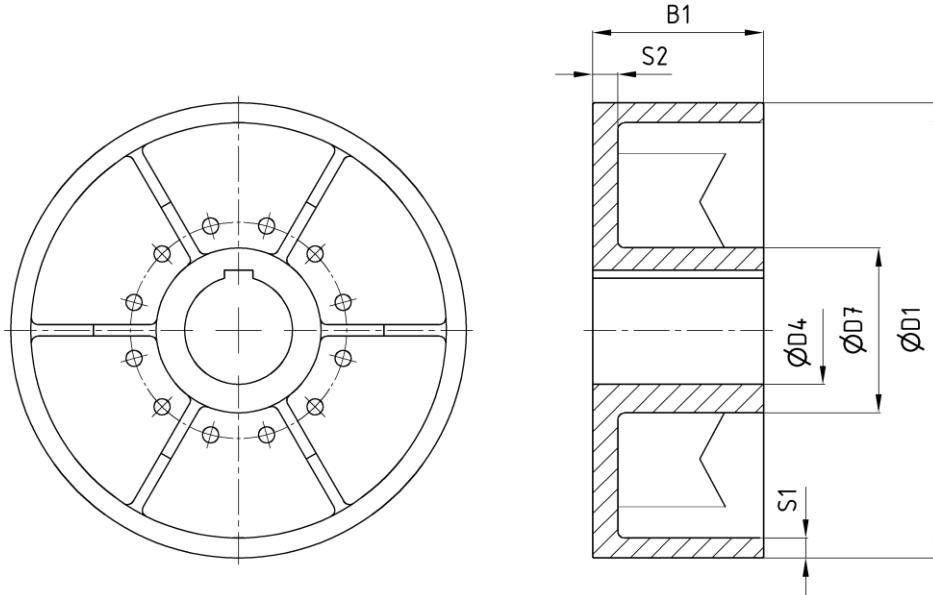


Brake drum according to DIN 15431

web at the front side

edition 07/2021 | EN
page 1 / 1



Order example: brake drum NG - D1 - D4H7P1 - dy ²⁾

dimensions in [mm]

Technical data

Nominal size NG	M _B [Nm]		n _{max} ³⁾ [1/min]	D1	B1	D4 ⁴⁾		D7	S1	S2	J _{rot} ⁵⁾ [kgm ²]	m ⁵⁾ [kg]
	T _{kN}	T _{kmax}				min	max					
16	160	240	3000	160	60	18	45	65	10	11	0,016	4,1
			3000	200	75							
			3000	250	95							
40	400	600	3000	200	75	22	55	78	10	11	0,041	6,7
			3000	250	95							
			3000	315	118							
100	1000	1500	3000	250	95	28	75	108	10	18	0,13	13,7
			3000	315	118							
			2400	400	150							
250	2500	3750	3000	315	118	42	95	145	12,5	20	0,39	27,5
			2400	400	150							
			1900	500	190							
630	6300	9500	1900	500	190	90	120	165	22,5	20	6,28	96
			1500	630	236							
1000	10000	15000	1350	630	236	90	130	175	27,5	25	18,14	227
1600	16000	24000	1350	710	265	90	160	210	27,5	25	20,70	254

- 1) Execution of the brake drum from Ø500 with ribs
- 2) material: GE 200 (Standard), S355J2G3 on request
- 3) Use at higher speeds on request
- 4) finish bore size according to DIN EN ISO 286-1 H7, keyway according to DIN 6885-1 JS9, balancing quality G 6,3 according to DIN ISO 1940-1 other diameters and fits on request
- 5) data for D4 max