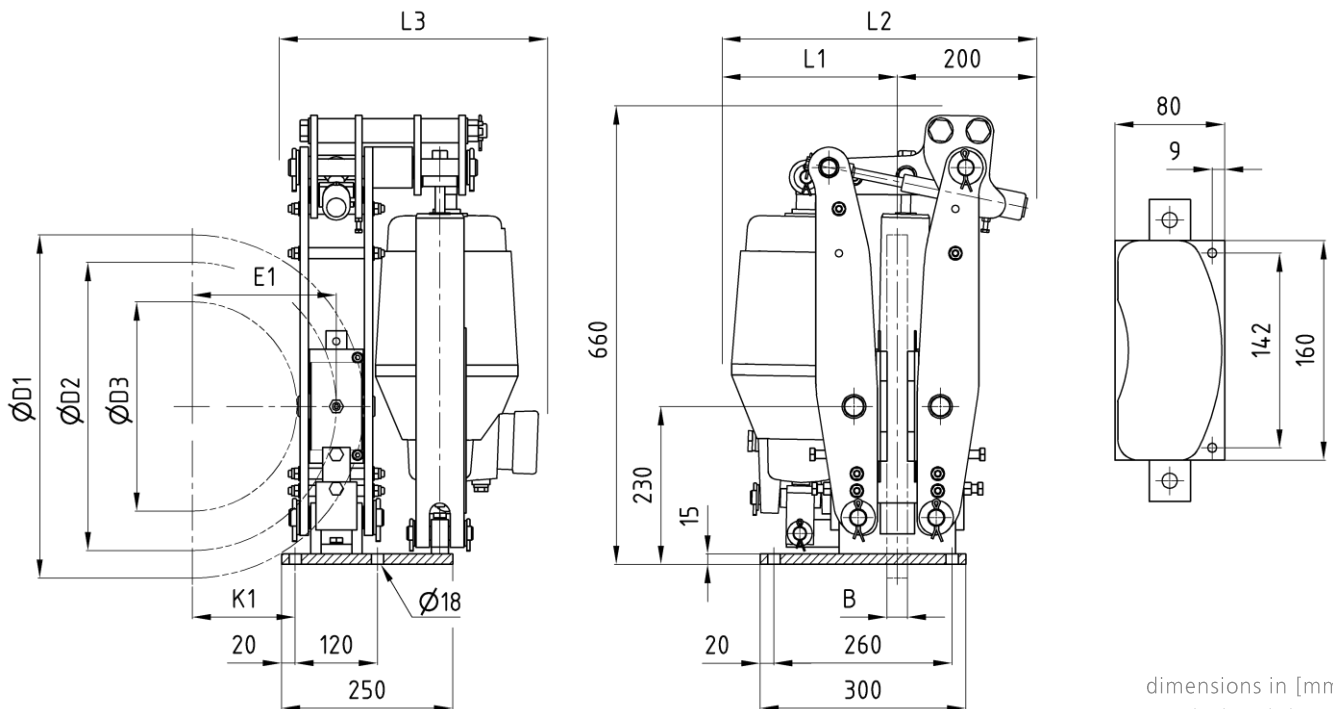


# Disc brake RST 1

## dimensions and technical data

edition 06/2022 | EN  
page 1 / 1



dimensions in [mm]  
right hand design

Order example: RST 1 50/6 - D2 x B

left hand design laterally reversed at brake disc

### Technical data

| Estimated weight 60 kg <sup>2)</sup> |     |     |     | Thruster size                             |     |      |     |                            |      |      |      |
|--------------------------------------|-----|-----|-----|---|-----|------|-----|----------------------------|------|------|------|
|                                      |     |     |     | 23/5                                      |     | 30/5 |     | 50/6                       |      | 80/6 |      |
| Brake disc dimensions [mm]           |     |     |     | M <sub>B</sub> [Nm] μ = 0,4 <sup>1)</sup> |     |      |     |                            |      |      |      |
| ØD1                                  | ØD2 | ØD3 | K1  | min                                       | max | min  | max | min                        | max  | min  | max  |
| 315                                  | 237 | 120 | 58  | 90  | 320 | 110  | 430 | 190                        | 740  | 290  | 1150 |
| 355                                  | 277 | 160 | 78  | 100                                       | 365 | 130  | 500 | 220                        | 850  | 350  | 1380 |
| 400                                  | 322 | 205 | 100 | 110                                       | 410 | 150  | 590 | 260                        | 1000 | 410  | 1650 |
| 450                                  | 372 | 255 | 125 | 120                                       | 455 | 170  | 680 | 300                        | 1200 | 470  | 1900 |
| 500                                  | 422 | 305 | 150 | 140                                       | 510 | 190  | 750 | 340                        | 1350 | 520  | 2100 |
| 560                                  | 482 | 365 | 180 | 160                                       | 570 | 210  | 840 | 380                        | 1500 | 570  | 2300 |
| 630                                  | 552 | 435 | 215 | 180                                       | 670 | 230  | 950 | 420                        | 1700 | 650  | 2600 |
|                                      |     |     |     | L1 = 260 L2 = 460 L3 = 380                |     |      |     | L1 = 300 L2 = 500 L3 = 380 |      |      |      |

|                                  |             |
|----------------------------------|-------------|
| Brake disc diameter ØD1          | max. 630 mm |
| Friction diameter ØD2            | D1 - 78 mm  |
| Maximum hub diameter ØD4         | D1 - 195 mm |
| Thickness brake disc B           | min. 20 mm  |
| Center brake disc / brake pad E1 | K1 + 60     |

- Available with sensor for monitoring brake open / closed position
- Available with sensor for monitoring brake pad wear
- Available in low temperature or high temperature version
- Available with brake cover made from aluminium or stainless steel

1) Friction value can change due to various operation conditions like circumferential speed, contact pressure, thermal load, material of the brake disc and environmental influences. This should be taken in consideration when calculating the brake.  
2) without thruster, without accessories