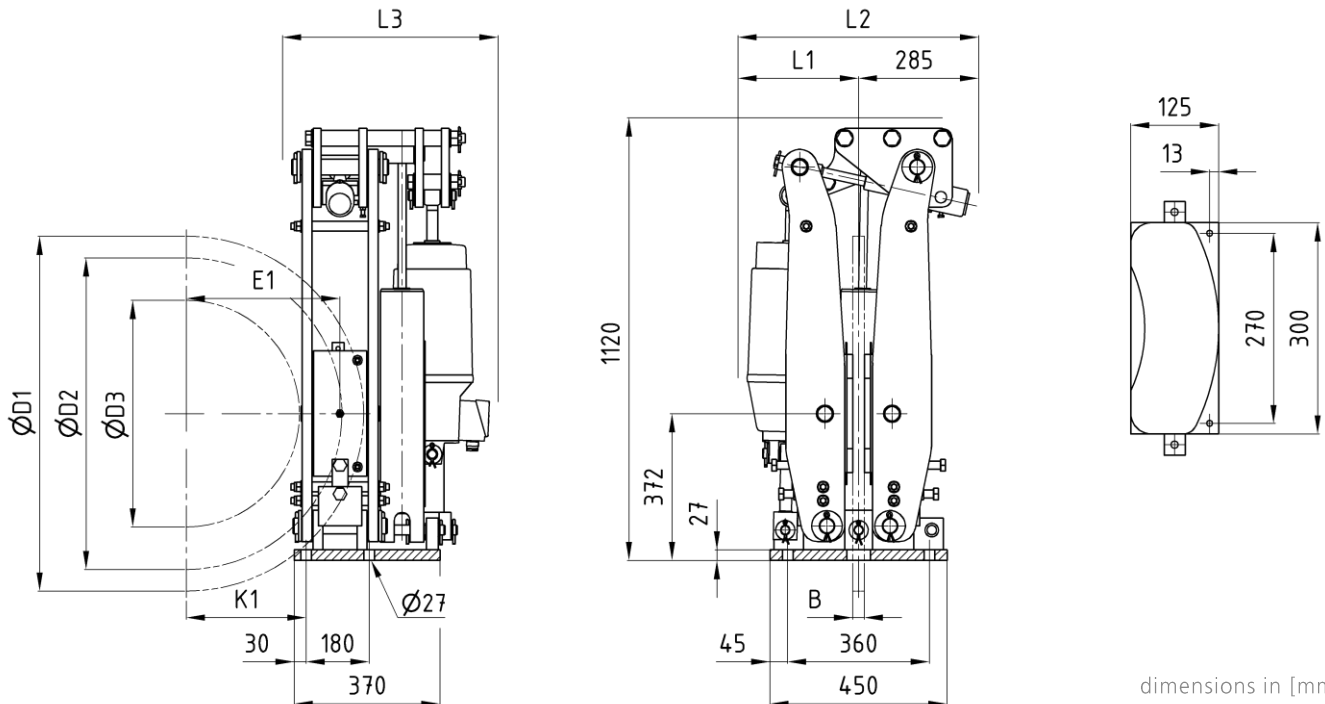


Disc brake SST 3

dimensions and technical data

 edition 06/2022 | EN
 page 1 / 1

 dimensions in [mm]
 right hand design

Order example: SST 3 121/6 - D2 x B

left hand design laterally reversed at brake disc

Technical data

Estimated weight 290 kg ²⁾				Thruster size					
				121/6		201/6		301/6	
Brake disc dimensions [mm]				M _B [Nm] μ = 0,4 ¹⁾					
ØD1	ØD2	ØD3	K1	min	max	min	max	min	max
630	520	305	169	1070	4300	1530	6150	2250	9000
710	600	385	209	1240	4980	1800	7200	2620	10500
800	690	475	254	1430	5740	2050	8200	3000	12000
900	790	575	304	1800	7210	2370	9500	3400	13600
1000	890	675	354	1860	7460	2670	10700	3850	15400
1250	1140	925	479	2120	8500	3000	12000	4900	19600
				L1 = 325 L2 = 610 L3 = 510					

Brake disc diameter ØD1	max. 1250 mm
Friction diameter ØD2	D1 - 110 mm
Maximum hub diameter ØD4	D1 - 325 mm
Thickness brake disc B	min. 30 mm
Center brake disc / brake pad E1	K1 + 86

- Available with sensor for monitoring brake open / closed position
- Available with sensor for monitoring brake pad wear
- Available in low temperature or high temperature version
- Available with brake cover made from aluminium or stainless steel

1) Friction value can change due to various operation conditions like circumferential speed, contact pressure, thermal load, material of the brake disc and environmental influences. This should be taken in consideration when calculating the brake.
 2) without thruster, without accessories