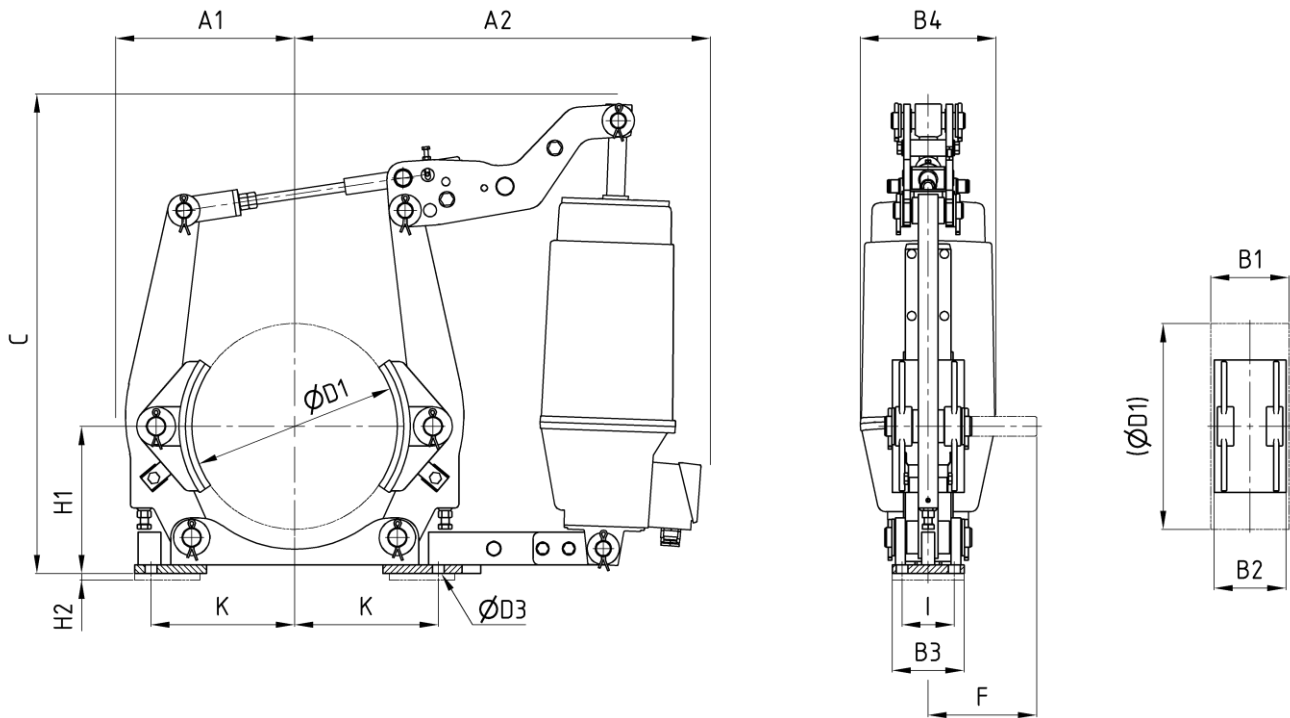


Drum brake RTC

according to 15435

 edition 06/2022 | EN
 page 1 / 3


Order example: RTC D1 - 50/6 - C220

dimensions in [mm]

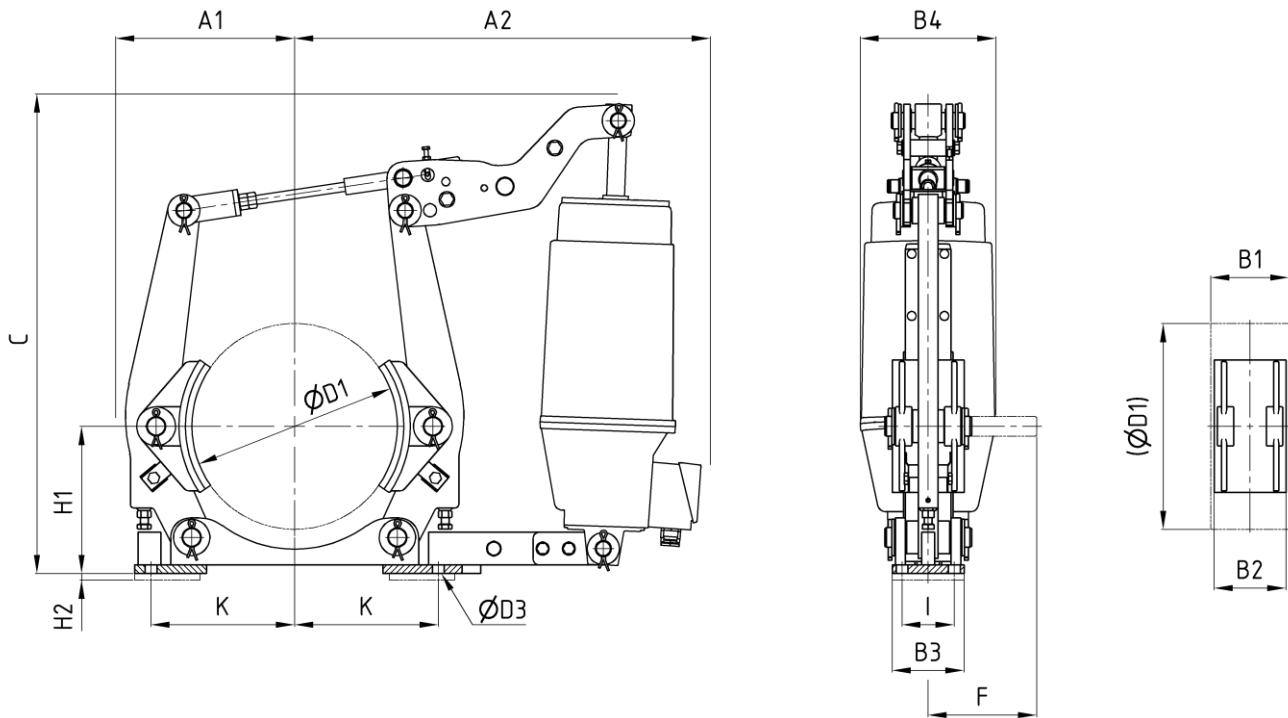
Technical data

D1	Thruster size	Spring [N]	M_{Br} [Nm] $\mu = 0,4$ ^{1) 2)}	A1	A2	B1	B2	B3	B4	C	D3	F	H1	H2 ³⁾	I	K	m [kg] ⁴⁾		
200	220-50	120	175	180	500	75	70	80	162	465	14	110	155	5	55	145	21		
		220	325		160				465	20									
	300-50	120	175		470				160	465							20		
		200	295		270				400	20									
250	220-50	120	175	207	530	95	90	100	162	490	18	135	185	5	65	180	28		
		220	325		160				490	27									
	300-50	120	175		500				160	490							27		
		200	295		270				400	29									
	500-60	180	315		555				195	490							29		
		320	560		500				875	29									
315	300-50	120	220	260	580	118	110	110	160	615	18	160	225	5	80	220	45		
		200	370		610				615	46									
	270	500	610		615				46										
	500-60	180	390		118				110	110							195	615	46
		320	695		195				615	46									
	800-60	450	975		210				615	46									
800		1735	210	615	46														

subject to change without notice

Drum brake RTC

according to 15435

 edition 06/2022 | EN
 page 2 / 3


Order example: RTC D1 - 50/6 - C220

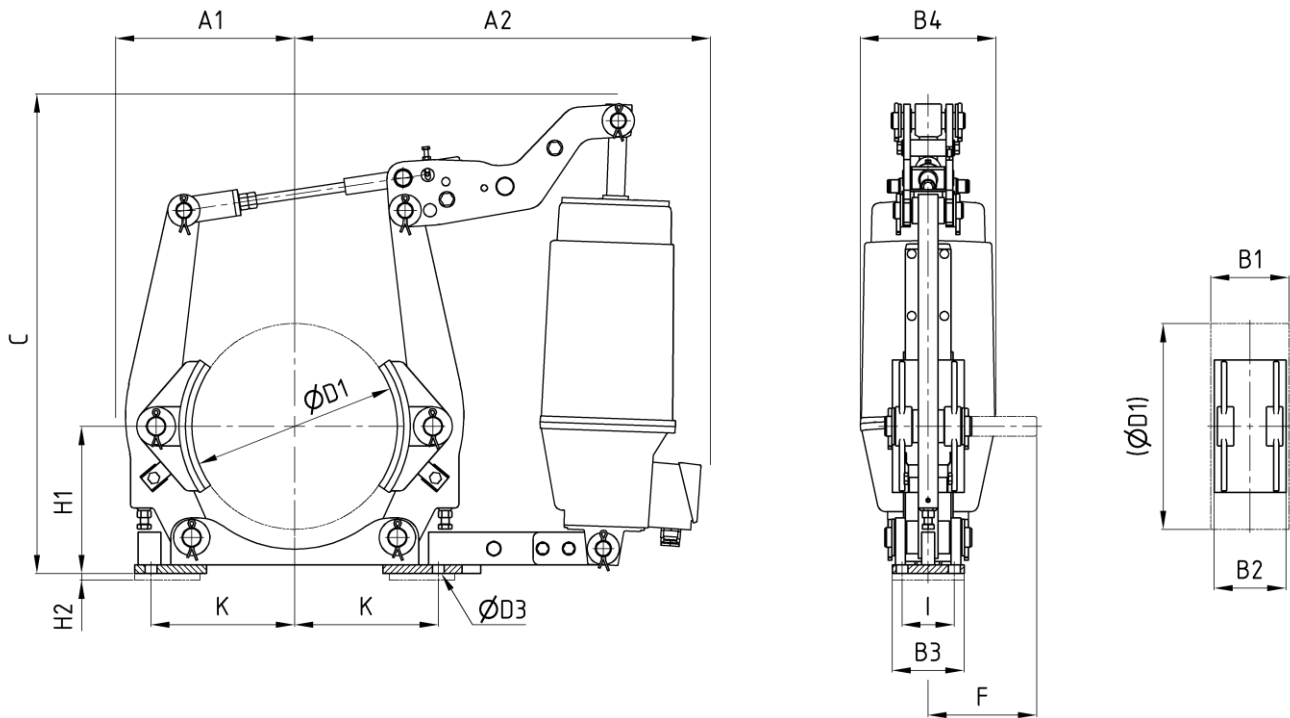
dimensions in [mm]

Technical data

D1	Thruster size	Spring [N]	M_{Br} [Nm] $\mu = 0,4$ ^{1) 2)}	A1	A2	B1	B2	B3	B4	C	D3	F	H1	H2 ³⁾	I	K	m [kg] ⁴⁾
400	500-60	180	395	322	675	150	140	140	195	670	22	200	270	10	100	270	60
		320	705														
		500	1105		725				255	795							
	800-60	450	990														
		800	1765		255				795								
	1250-60	450	970							725							
		800	1725		255				795								
	2000-60	1250	2700							725							
700		1510	255	795													
2000-60	1300	2800			790	255	845										
	2000	4320	255	845													
500	500-60	180			485	395	795	190	180	180	195	845	22	245	330	10	130
		320	860	795	210												
		500	1345				790				255	845					
	800-60	450	1210	790	210												
		800	2155				255				845						
	1250-60	450	1210	790	255							845					
		800	2155				255				845						
	2000-60	1250	3370	790	255							845					
700		1885	255			845											
2000-60	1300	3500		790	255		845										
	2000	5400	255			845											

Drum brake RTC

according to 15435

 edition 06/2022 | EN
 page 3 / 3


Order example: RTC D1 - 50/6 - C220

dimensions in [mm]

Technical data

D1	Thruster size	Spring [N]	M_{Br} [Nm] $\mu = 0,4$ ^{1) 2)}	A1	A2	B1	B2	B3	B4	C	D3	F	H1	H2 ³⁾	I	K	m [kg] ⁴⁾									
630	1250-60	450	1215	470	870				255	1035	27	300	410	10	170	400	181									
		800	2160														180									
		1250	3375														185									
	2000-60	700	1890		870				236	225							220	255	1035	27	300	410	10	170	400	180
		1300	3510																							
		2000	5405																							
3000-60	700	1975	870				255	1035	27	300	410	10	170	400	185											
	2300	6495																								
	2950	8330																								
710	1250-60	450	1370	530	955				255	1100	27	335	460	10	190	450	224									
		800	2435														223									
		1250	3810														223									
	2000-60	700	2130		955				265	255							240	255	1100	27	335	460	10	190	450	223
		1300	3960																							
		2000	6095																							
3000-60	700	2130	955				255	1100	27	335	460	10	190	450	223											
	2300	7010																								
	2950	8990																								

1. Friction value can change due to various operation conditions like circumferential speed, contact pressure, thermal load, material of the brake drum and environmental influences. This should be taken in consideration when calculating the brake.
2. Recommendation: necessary braking torque between 30 % and 80 % of the maximum value
3. without adjustment shim
4. without thruster, without accessories

subject to change without notice