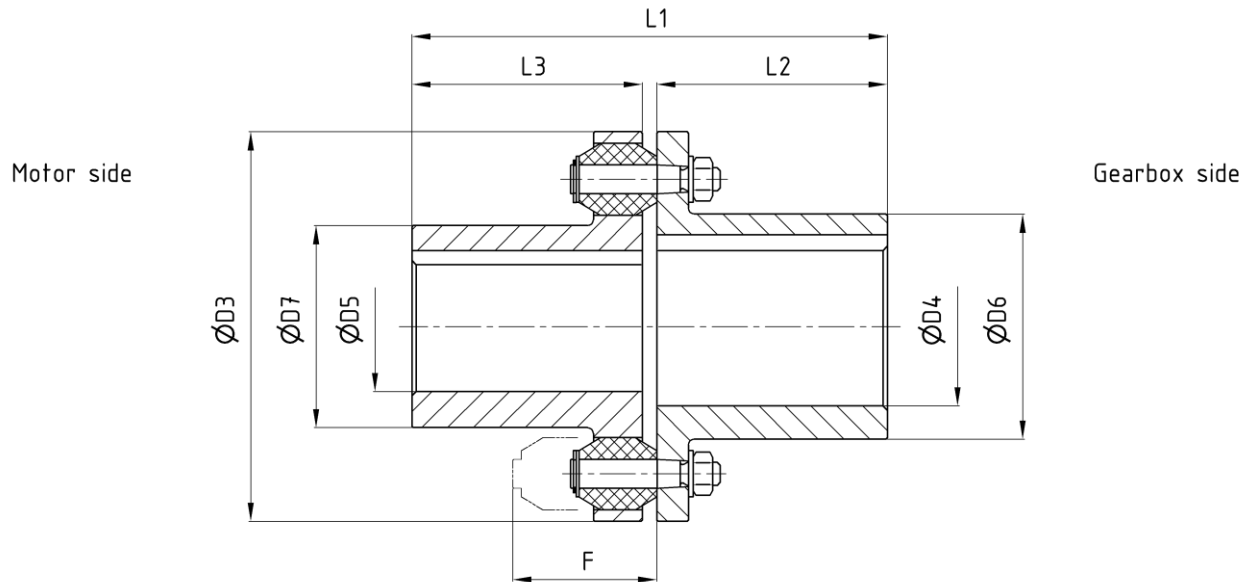


Type A:
 for horizontal assembly

Flexible pin coupling

edition 06/2022 | EN
 page 1 / 1



Order example: EBK A NG - D4H7P1 - D5H7P1 - dy

dimensions in [mm]

Technical data

Nominal size NG	M _B ¹⁾ [Nm]		n _{max} ²⁾ [1/min]	D4 / D5 ³⁾		D3	D6	D7	F	L1	L2	L3	J _{rot} [kgm ²]	m [kg]	M _A [Nm]
	T _{kN}	T _{kmax}		min	max										
4	40	60	5000	18	32	82	45	42	41	93	50	40	0,0008	1,1	3
6,3	63	95	4600	18	38	90	52	50	41	113	60	50	0,0011	1,4	3
10	100	150	4300	18	42	98	58	56	41	113	60	50	0,0016	1,7	3
16	160	240	4050	18	45	112	62	60	57	123	60	60	0,0028	2,5	5,1
25	250	375	3850	20	48	118	70	65	59	145	80	60	0,0040	3,3	5,1
40	400	600	3650	22	55	135	78	70	72	165	80	80	0,0068	4,7	16
63	630	950	3500	22	65	150	92	85	72	195	110	80	0,0122	6,7	16
100	1000	1500	3350	28	75	182	95	95	92	205	110	90	0,032	10,5	43
160	1600	2400	3200	32	85	205	120	115	92	225	110	110	0,057	15,6	43
250	2500	3750	3100	42	95	230	135	130	107	255	140	110	0,098	22,1	43
400	4000	6000	3000	45	110	275	145	145	127	255	140	110	0,185	31,9	106
630	6300	9500	2700	90	120	320	165	165	130	348	170	170	0,398	48	106
1000	10000	15000	2300	90	130	380	175	175	150	348	170	170	0,63	64	370
1600	16000	24000	2000	90	160	440	210	210	165	430	210	210	1,65	110	370
2500	25000	37500	1800	110	180	510	240	240	210	430	210	210	3,14	164	450
4000	40000	60000	1600	140	200	630	270	270	290	510	250	250	7,75	296	510
6300	63000	95000	1300	140	220	660	300	300	336	610	300	300	11,35	370	510
10000	100000	150000	1200	160	220	770	335	320	336	660	350	300	21,16	525	510

1) torsion angle at T_{kN} φ = 3° ± 1°

2) Use at higher speeds on request

3) Finish boring according to DIN EN ISO 286-1 H7, keyway according to DIN 6885-1 JS9, balancing quality G 6,3 according to DIN ISO 1940-1
 Other diameters and fits on request

4) Standard: Buffer made from PUR 85 Shore A, nature, operating temperatur from -40° C up to +80° C / other materials on request

subject to change without notice