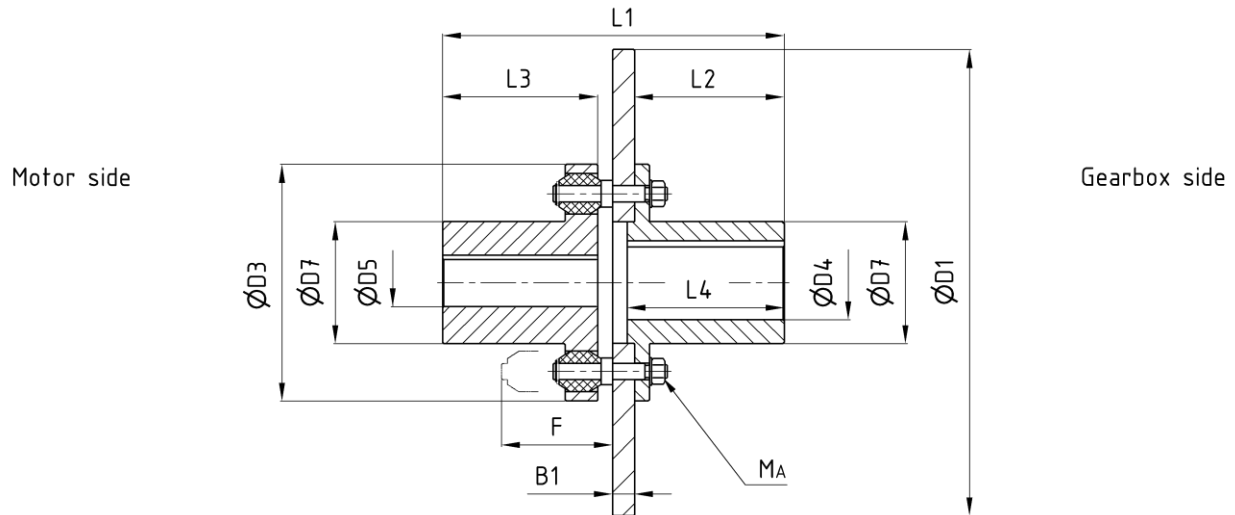


Flexible pin coupling with brake disc

edition 06/2022 | EN
page 1 / 1



Order example: EBK NG - D1 - D4H7P1 - D5H7P1 - dy

dimensions in [mm]

Technical data

Nominal size NG	M _B ¹⁾ [Nm]		n _{max} ²⁾ [1/min]	D1	B1	D3	D4 / D5 ³⁾		D7	L1	L2	L3	L4	F	J _{rot} [kgm ²]	m [kg]	M _A [Nm]
	T _{kN}	T _{kmax}					min	max									
40	400	800	3600	355	30	134	20	55	77	279	161,5	80	166,5	113	0,37	29	45
			3400	400											0,60	35	
63	630	1260	3600	355	30	150	25	65	91	309	161,5	110	166,5	113	0,38	31	45
			3400	400											0,61	37	
100	1000	2000	3350	400	30	186	30	75	105	339	156,5	140	166,5	142	0,64	42	85
			3000	450											1,00	57	
160	1600	3200	3200	400	30	212	30	85	119	371	156,5	170	166,5	157	0,68	47	175
			3000	450											1,03	54	
250	2500	5000	2800	500	30	240	40	95	130	412	197,5	170	207,5	157	1,53	63	190
			3000	500											1,10	72	
400	4000	8000	2400	560	30	275	50	105	145	458	197,5	210	207,5	213	1,60	84	340
			2200	630											2,43	84	
630	6300	12650	1900	710	30	320	60	120	165	463	202,5	210	212,5	200	3,85	100	370
			1900	710											2,55	91	
1000	10000	20000	2200	630	30	320	60	120	165	463	202,5	210	212,5	200	4,18	122	370
			1900	710											6,43	143	
1600	16000	32000	1650	800	30	380	80	125	175	460	197,5	210	212,5	216	10,01	161	1050
			1900	710											7,08	171	
2500	25000	50000	1500	900	30	440	100	150	215	522	237,5	220	252,5	254	10,77	195	1145
			1350	1000											16,41	228	
2500	25000	50000	1350	1000	42	510	100	170	240	546	237,5	240	252,5	323	11,63	238	2150
			1100	1250											17,13	269	
															35,53	379	
															38,00	418	
															117,19	562	

1) torsion angle at T_{kN} φ = 3° ± 1°

2) Use at higher speeds on request

3) Finish boring according to DIN EN ISO 286-1 H7, keyway according to DIN 6885-1 J59, balancing quality G 6,3 according to DIN ISO 1940-1
Other diameters and fits on request

4) Standard: Buffer made from PUR 85 Shore A, nature, operating temperatur from -40° C up to +80° C / other materials on request

subject to change without notice