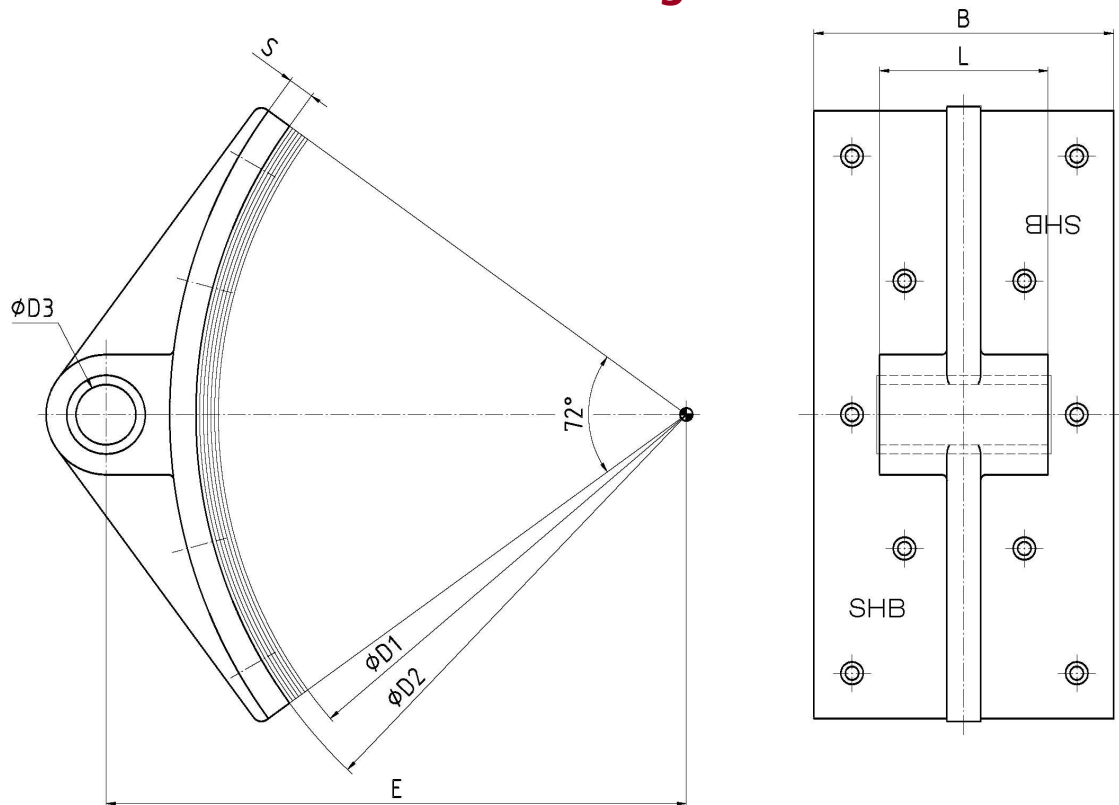


Brake Shoe according to TGL 38304

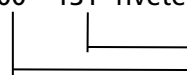
 Ausgabe 05/18 | DE
 Seite 1/1


Nominal size D1	Brake Shoe-width	D2	D3	E	L	S	length Brake pad	Weight m [kg]
160	50	176	10	110	35	8	110	0,35
200	65	216	12	132	43	8	135	0,55
250	80	266	14	160	46	10	167	0,85
320	100	336	18	200	60	10	211	1,45
400	120	424	22	250	72	12	266	2,65
500	160	524	32	310	93	14	329	5,05
630	200	654	36	380	116	15	410	8,65
710	220	734	40	430	131	12	461	19,90
800	250	824	45	480	151	16	518	27,30

all Dimensions in mm

Ordering example:

Brake Shoe 400 – 131- riveted TGL 38304


 Brake pad brand (other Brake pad brands on request)
 Nominal size D1