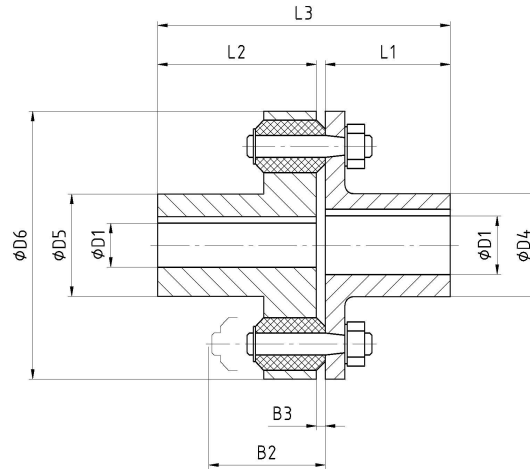


Flexible pin coupling

Type B:
for horizontal or
vertical assembly



nominal size	torque ¹⁾ [Nm]		D1 ²⁾		D3 max	D4 ³⁾	D5	D6	D7 max	T	L1	L2	L3	B2	B3 (±25 %)	moment of inertia ⁴⁾ J [kgm ²]	weight ⁴⁾ m [kg]	permissible speed ⁵⁾ n _{max} [rpm]	cushions and pins	
	T _{KN}	T _{Kmax}	min	max															nominal size	number
4	40	60	18	32	18	45	42	82	35	14	50	40	93	41	3	0,001	1,2	5000	6	4
6,3	63	95	18	38	22	52	50	90	43	18	60	50	113	41	3	0,001	1,7	4600	6	6
10	100	150	18	42	32	58	56	98	50	22	80	50	133	41	3	0,002	2,2	4300	6	8
16	160	240	18	45	32	62	60	112	50	22	80	60	143	57	3	0,003	3,2	4050	8	8
25	250	375	20	48	38	70	65	118	64	28	110	60	175	59	5	0,004	4,1	3850	8	10
40	400	600	22	55	38	78	70	135	64	28	110	80	195	72	5	0,007	5,8	3650	10	10
63	630	950	22	65	48	92	85	150	78	28	110	80	195	72	5	0,014	7,6	3500	10	12
100	1000	1500	28	75	60	95	95	182	92	35	140	90	235	92	5	0,038	13,8	3350	14	8
160	1600	2400	32	85	70	120	115	205	105	35	140	110	255	92	5	0,067	19,0	3200	14	10
250	2500	3750	42	95	80	135	130	230	119	40	170	110	285	107	5	0,098	27,3	3100	16	12
400	4000	6000	45	110	80	145	145	275	119	40	170	110	285	127	5	0,221	40,9	3000	22	10
630	6300	9500	90	120	90	165	165	320	146	45	210	170	388	130	8	0,492	64	2700	22	12
1000	10000	15000	90	130	100	175	175	380	159	45	210	170	388	150	8	0,782	85	2300	30	10
1600	16000	24000	90	160	110	210	210	440	178	45	210	210	430	165	10	1,78	128	2000	30	12

1) torsion angle at T_{KN} f=3°±1°

2) finished boring to ISO-fit H7, keyway to DIN 6885 P1 fit JS9, other diameter on request

3) true for D1 max, in case of smaller boring a reduction is possible

4) true for D1 max, in consideration of buffers and pins

5) higher speed on request

dimensions in mm

Material of standard type

Hub buffer side, hub pin side:

Pin: C35, 34CrMo4, 34Cr4

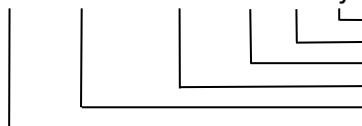
Buffer: PUR (Elastopal)65±5 Shore A

PUR (Elastollan)80±2 Shore A

In special case of operation or by customer request it is possible to apply other material.

Order example:

EBK B 40 – 35H7P1 – 40H7P1 – 64 x 28 - dy



Balance state G 6,3 according to DIN ISO 1940-1

Length T

Diameter D7

Boring, tolerance zone and keyway (hub buffer side)

Boring, tolerance zone and keyway (hub pin side)

Nominal size