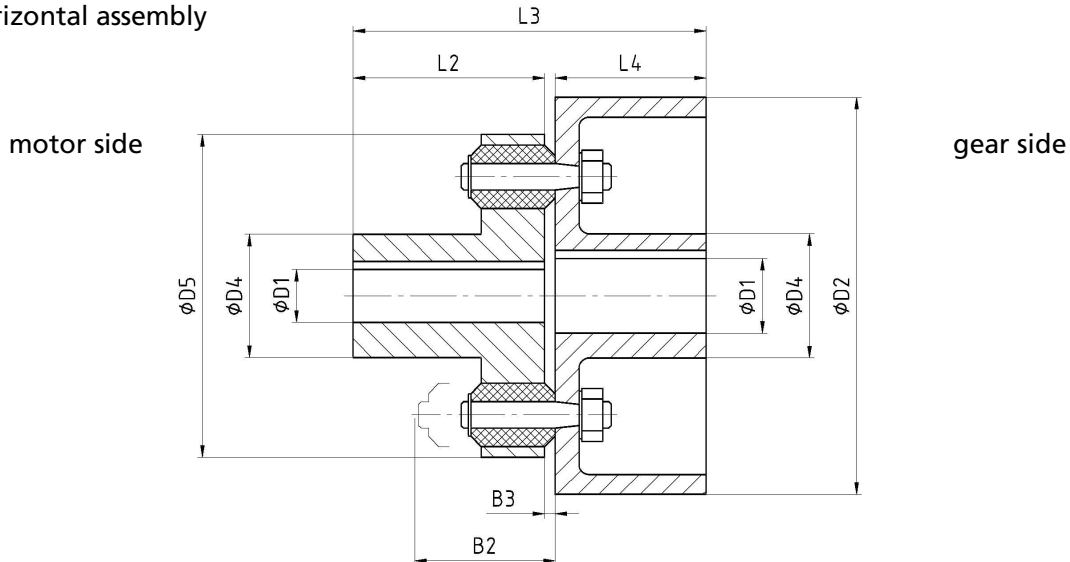


## Flexible pin coupling

with brake drum according to DIN 15431

**Type C:**  
 for horizontal assembly


nominal size	D2	torque <sup>1)</sup> [Nm]		D1 <sup>2)</sup>		D4 <sup>3)</sup>	D5	L2	L3	L4	B2	B3 (±25%)	moment of inertia <sup>4)</sup> J [kgm <sup>2</sup> ]	weight <sup>4)</sup> m [kg]	permissible speed <sup>5)</sup> n <sub>max</sub> [1/min]	cushions and pins	
		T <sub>KN</sub>	T <sub>Kmax</sub>	min	max											nominal size	number
16	200 250	160	240	18	45	65	123	60	138 158	75 95	57	3	0,04 0,11	8 12	3000	8	8
40	200 250 315	400	600	22	55	78	151	80	160 180 203	75 95 118	70	3	0,05 0,11 0,32	12 15 21	3000	10	10
100	250 315 400	1000	1500	28	75	108	198	110	210 233 256	95 118 150	92	5	0,15 0,39 1,04	23 29 46	3000 3000 2400	14	8
250	315 400 500	2500	3750	42	95	145	250	140	263 295 335	118 150 190	107	5	0,49 1,36 3,66	48 72 103	3200 2400 1900	16	12
630	500 630	6300	9500	90	120	165	320	170	368 414	190 236	130	8	6,58 10,25	115 156	1900 1500	22	12
1000	710	10000	15000	90	130	175	380	170	443	265	150	8	18,80	245	1350	30	10
1600	710	16000	24000	90	160	210	440	210	485	265	165	10	19,54	255	1350	30	12
2500	800	25000	37500	110	180		510	210	520	300	210	10	32,52	471	1200	42	10

 1) torsion angle at T<sub>KN</sub> f=3°±1°

2) finished boring to ISO-fit H7, keyway to DIN 6885 P1 fit JS9, other diameter on request

3) true for D1 max, in case of smaller boring a reduction is possible

4) true for D1 max, in consideration of buffers and pins

5) higher speed on request

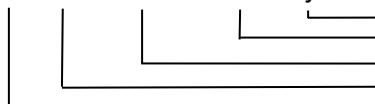
dimensions in mm

**Material of standard type**

 Hub buffer side, hub pin side: C35 or G52  
 Brake drum: according to DIN 15431  
 C35, 34CrMo4, 34Cr4  
 Pin: C35, 34CrMo4, 34Cr4  
 Buffer: PUR (Elastopal)65±5 Shore A  
 PUR (Elastollan)80±2 Shore A

In special case of operation or by customer request it is possible to apply other material.

Order example:

**EBK C 40 – 250 – 35H7P1 – 40H7P1 - dy**

 Balance state G 6,3 according to DIN ISO 1940-1  
 Boring, tolerance zone and keyway (hub buffer side)  
 Boring, tolerance zone and keyway (hub pin side)  
 Nominal diameter of the brake drum D2  
 Nominal size