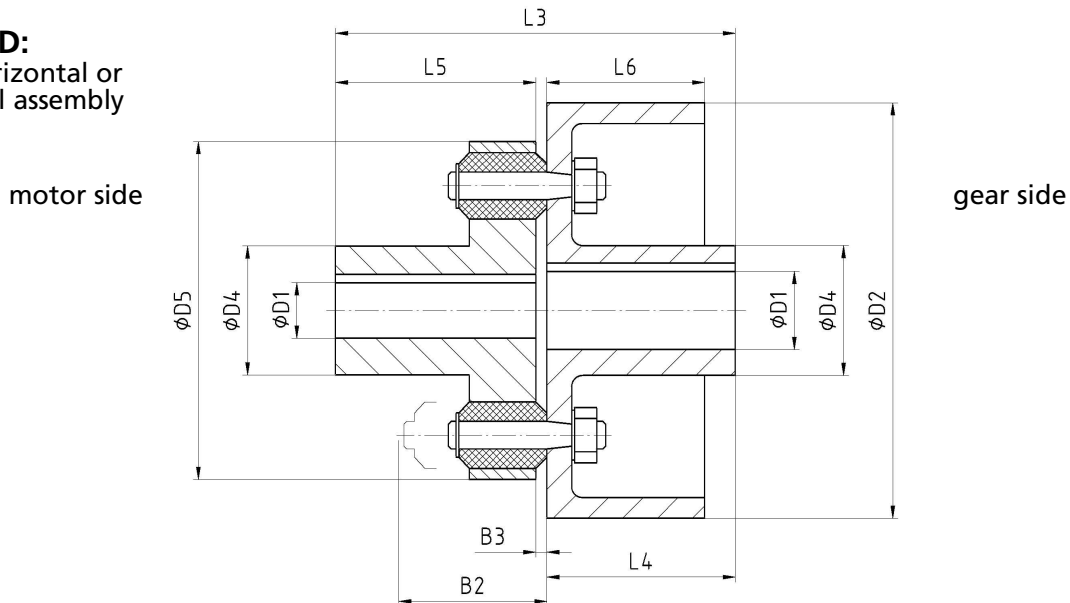


## Flexible pin coupling

with brake drum according to DIN 15431

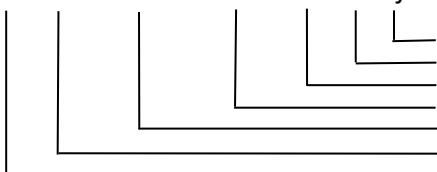
**Type D:**  
 for horizontal or  
 vertical assembly


nominal size	D2	torque <sup>1)</sup> [Nm]		D1 <sup>2)</sup>		D3 <sup>2)</sup> max	D4 <sup>3)</sup>	D5	D7 max	T	L3	L4	L5	B2	B3 (±25%)	moment of inertia <sup>4)</sup> J [kgm <sup>2</sup> ]	weight <sup>4)</sup> m [kg]	permissible speed <sup>5)</sup> n <sub>max</sub> [1/min]	cushions and pins	
		T <sub>KN</sub>	T <sub>Kmax</sub>	min	max														nominal size	number
16	200 250	160	240	18	45	32	65	123	50	22	158 178	75 95	80	57	3	0,04 0,11	8 12	3000	8	8
40	200 250 315	400	600	22	55	38	78	151	64	28	190 210 233	75 95 118	110	70	3	0,05 0,11 0,32	12 15 21	3000	10	10
100	250 315 400	1000	1500	28	75	60	108	198	92	35	240 263 295	95 118 150	140	92	5	0,15 0,39 1,04	23 29 46	3000 3000 2400	14	8
250	315 400 500	2500	3750	42	95	80	145	250	119	40	293 325 365	118 150 190	170	107	5	0,49 1,36 3,66	48 72 103	3000 2400 1900	16	12
630	500 630	6300	9500	90	120	90	165	320	146	45	408 454	190 236	210	130	8	6,58 10,25	115 156	1900 1500	22	12
1000	710	10000	15000	90	130	100	175	380	159	45	483	265	210	150	8	18,80	245	1350	30	10
1600	710	16000	24000	90	160	110	210	440	178	45	485	265	210	165	10	19,54	255	1350	30	12

- 1) torsion angle at T<sub>KN</sub> f=3°±1°
- 2) finished boring to ISO-fit H7, keyway to DIN 6885 P1 fit JS9, other diameter on request
- 3) true for D1 max, in case of smaller boring a reduction is possible
- 4) true for D1 max, in consideration of buffers and pins
- 5) higher speed on request

dimensions in mm

Order example:

**EBK D 40 – 250 – 35H7P1 – 40H7P1 – 64 x 28 - dy**

 Balance state G 6,3 according to DIN ISO 1940-1  
 Length T  
 Diameter D7  
 Boring, tolerance zone and keyway (hub buffer side)  
 Boring, tolerance zone and keyway (hub pin side)  
 Nominal diameter of the brake drum D2  
 Nominal size

**Material of standard type**

 Hub buffer side, hub pin side: C35 or GS52 according to DIN 15437  
 Brake drum: C35, 34CrMo4, 34Cr4  
 Pin: PUR (Elastopal)65±5 Shore A  
 Buffer: PUR (Elastollan)80±2 Shore A  
 In special case of operation or by customer request it is possible to apply other material.