

Disc Brake DBF 320 S

 edition 05/18 | EN
 page 1/1

Dimensions and Technical Data

TECHNICAL DATA

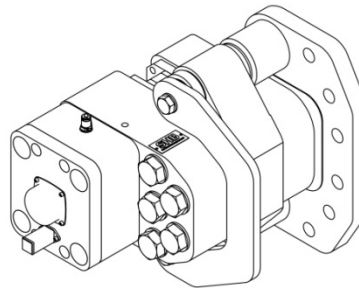
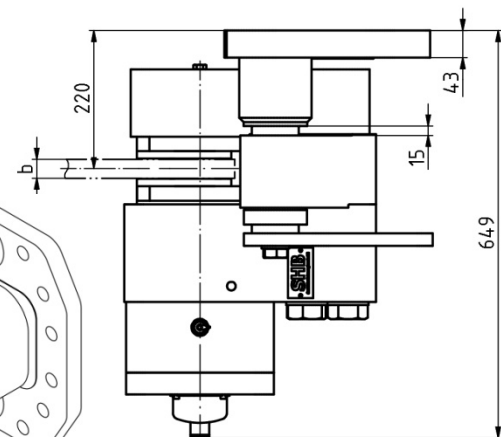
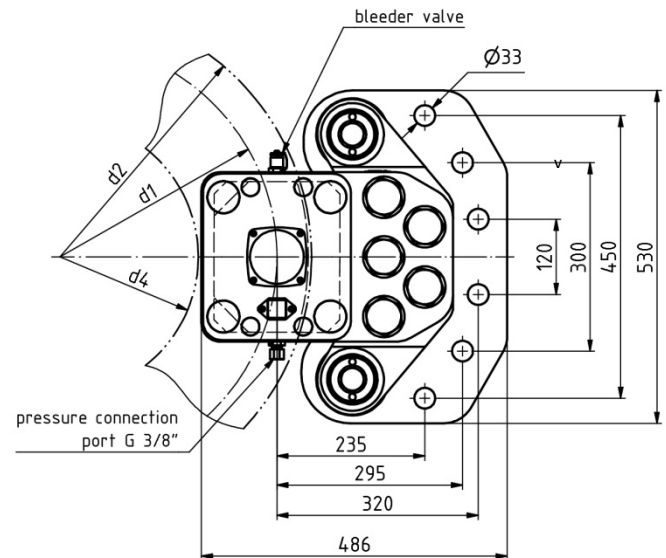
Braking torque [kNm]	
$M_{br} = F_A \cdot (d_1 / 1000) \cdot \mu$	
Friction diameter	$d_1 = d_2 - 110 \text{ mm}$
Hub outside diameter	$d_4 = d_2 - 360 \text{ mm}$
Brake disc thickness	mind. 25 mm
Friction value	$\mu = 0,4$
Air gap, adjustable	1 – 3 mm
Releasing time	1 – 2,5 s
Theoretical resetting time	ca. 0,2 s
Pad surface	315 cm ²
Maximum pressure	250 bar
Oil volume	0,28 l
Oil volume at 2mm working stroke	0,045 l
Pipe dimensions	G 3/8" ; pipe $\varnothing 12 \times 1,5$
Ambient temperature	-20°C bis +60°C
Weight, without mounting bracket	435 kg

d_1 = Friction diameter

d_2 = Outside diameter of brake disc
 Minimum outside diameter: 800 mm

d_4 = Maximum diameter of rope drum or hub
 Note: Attend the rope clamps!

b = Brake disc thickness (min. 25 mm)



BRAKING FORCES

Size	Clamping force F_A depending on the total air gap			Releasing pressure
	1 mm	2 mm	3 mm	
DBF 320.1 S	200 kN	170 kN	140 kN	145 bar
DBF 320.2 S	230 kN	200 kN	170 kN	160 bar
DBF 320.3 S	260 kN	230 kN	200 kN	180 bar
DBF 320.4 S	290 kN	260 kN	230 kN	200 bar
DBF 320.5 S	320 kN	290 kN	260 kN	215 bar
DBF 320.6 S	-	320 kN	290 kN	235 bar

The clamping force can tolerate around 5%.

INSTRUCTIONS

all dimensions in mm

- The floating calliper balance an axial clearance of the bearing of $\pm 15 \text{ mm}$. We recommend at least 2 mm total air gap.
- The stated releasing time depends mainly on the pump power of the power pack.
- The theoretical resetting time can only be reached by adequate dimensioning of the hydraulic pipes and hoses
- Brake system available with bracket and assembled power pack, filled and deaerated as „plug and play“-version.
- Inductive proximity switch for indication of released position as standard.
- Proximity switches for monitoring of brake linings wear on request.
- Drawings as DWG, DXF, PDF File or 3D- model available.