

Disc Brake DBF 60 S

edition 05/18 | EN
page 1/1

Dimensions and Technical Data

TECHNICAL DATA

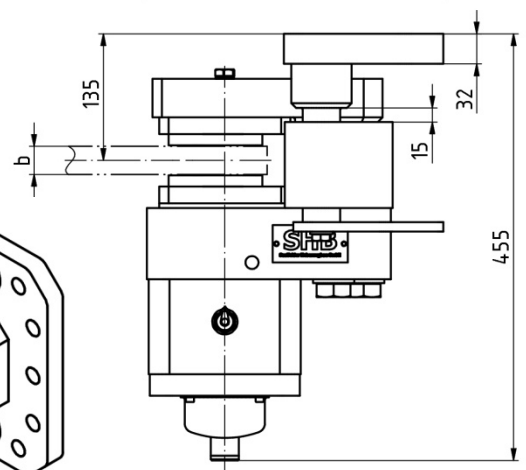
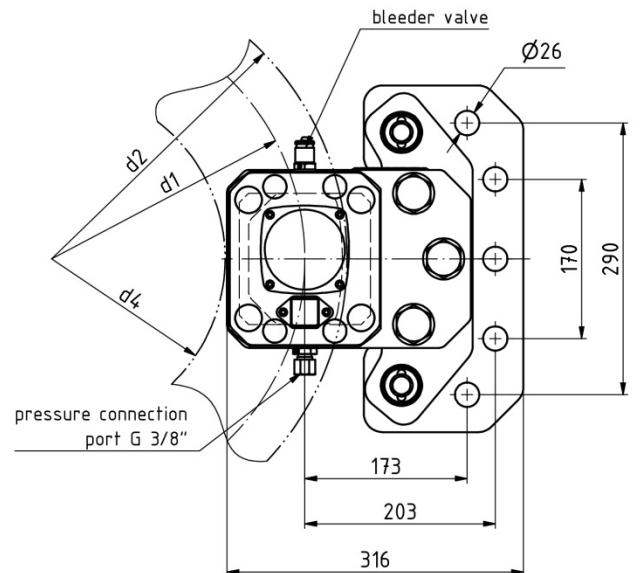
Braking torque [kNm]	
$M_{br} = F_A \cdot (d_1 / 1000) \cdot \mu$	
Friction diameter	$d_1 = d_2 - 90 \text{ mm}$
Hub outside diameter	$d_4 = d_2 - 260 \text{ mm}$
Brake disc thickness	mind. 25 mm
Friction value	$\mu = 0,4$
Air gap, adjustable	1 – 3 mm
Releasing time	1 – 2,5 s
Theoretical resetting time	ca. 0,2 s
Pad surface	126 cm ²
Maximum pressure	120 bar
Oil volume	0,12 l
Oil volume at 2mm working stroke	0,02 l
Pipe dimensions	G 3/8" ; Rohr $\varnothing 12 \times 1,5$
Ambient temperature	-20°C bis +60°C
Weight, without mounting bracket	110 kg

d_1 = Friction diameter

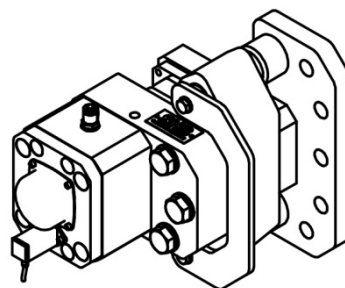
d_2 = Outside diameter of brake disc
Minimum outside diameter: 630 mm

d_4 = Maximum diameter of rope drum or hub
Note: Attend the rope clamps!

b = Brake disc thickness (min. 25 mm)



all dimensions in mm



BRAKING FORCES

Size	Clamping force F_A depending on the total air gap			Releasing pressure
	1 mm	2 mm	3 mm	
DBF 60.1 S	11 kN	10 kN	9 kN	30 bar
DBF 60.2 S	21 kN	20 kN	19 kN	40 bar
DBF 60.3 S	31 kN	30 kN	29 kN	60 bar
DBF 60.4 S	42 kN	40 kN	38 kN	70 bar
DBF 60.5 S	52 kN	50 kN	48 kN	90 bar
DBF 60.6 S	62 kN	60 kN	58 kN	100 bar

The clamping force can tolerate around 5%.

INSTRUCTIONS

- The floating calliper balance an axial clearance of the bearing of $\pm 15 \text{ mm}$. We recommend at least 2 mm total air gap.
- The stated releasing time depends mainly on the pump power of the power pack.
- The theoretical resetting time can only be reached by adequate dimensioning of the hydraulic pipes and hoses
- Brake system available with bracket and assembled power pack, filled and bled as „plug and play“-version.
- Inductive proximity switch for indication of released position as standard.
- Proximity switches for monitoring of brake linings wear on request.
- Drawings as DWG, DXF, PDF File or 3D- model available.